



# NIMO Series



DYY-01M



**DYY-01M**

1.97"  
50mm



MAX 70.9"  
MAX 1800mm

90mm  
3.54"

**Basic Information**

Model	DYY-01M
Mounting	Surface mounted
Color	Black
Material	Aluminum
IP Rating	IP20
Power	Max. 8W
Led Voltage	DC36V
Input Current	Max. 200mA

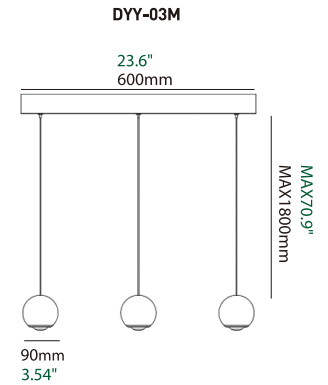
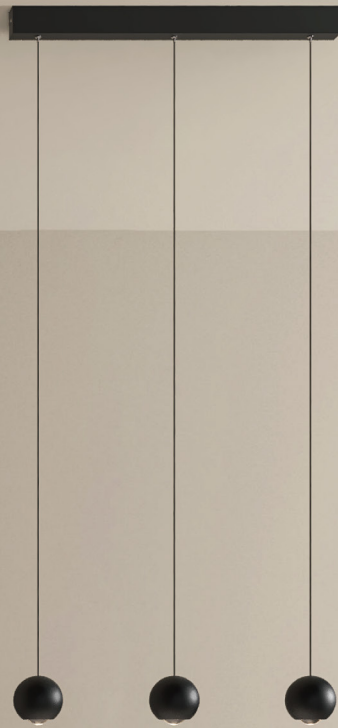
**Optical Parameters**

Light Source	LED COB
Lumens	68lm/W
CRI	98Ra
CCT	3000K ● 3500K ● 4000K ○
CCT Changeable	2700K — 6000K 1800K — 3000K
Beam Angle	▲ 50°
LED Lifespan	50000hrs

Driver Voltage	AC100-120V AC220-240V
Driver Options	ON/OFF DIM TRIAC/ PHASE-CUT DIM 0/1-10V DIM DALI



DYY-03M



### Basic Information

Model	DYY-03M
Mounting	Surface mounted
Color	Black
Material	Aluminum
IP Rating	IP20
Power	Max.8W*3
Led Voltage	DC36V
Input Current	Max. 200mA*3

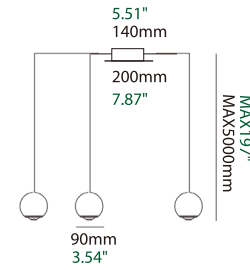
### Optical Parameters

Light Source	LED COB
Lumens	68lm/W
CRI	98Ra
CCT	3000K ● 3500K ● 4000K ○
CCT Changeable	2700K — 6000K 1800K — 3000K
Beam Angle	▲ 50°
LED Lifespan	50000hrs

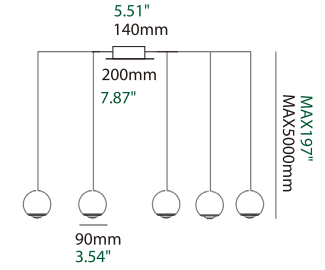
Driver Voltage	AC100-120V AC220-240V
Driver Options	ON/OFF DIM TRIAC/ PHASE-CUT DIM 0/1-10V DIM DALI



DYY-03MS



DYY-05MS



**Basic Information**

Model	DYY-03MS/DYY-05MS
Mounting	Surface mounted
Color	Black
Material	Aluminum
IP Rating	IP20
Power	Max. 3*8W / Max. 5*8W
Led Voltage	DC36V
Input Current	Max. 200mA*3 / Max. 200mA*5

**Optical Parameters**

Light Source	LED COB
Lumens	68lm/W
CRI	98Ra
CCT	3000K ● 3500K ● 4000K ○
CCT Changeable	2700K — 6000K 1800K — 3000K
Beam Angle	▲ 50°
LED Lifespan	50000hrs

Driver Voltage	AC100-120V AC220-240V
Driver Options	ON/OFF DIM TRIAC/ PHASE-CUT DIM 0/1-10V DIM DALI